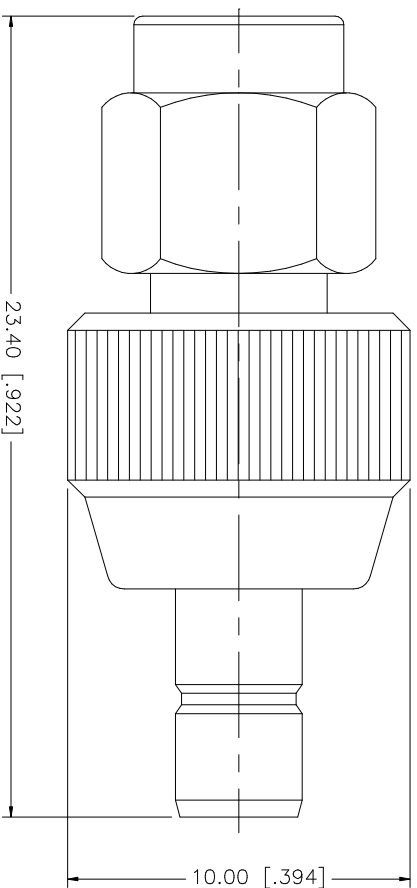


| REV. | DATE | DESCRIPTION |
|------|----------|-----------------------|
| A | 01/30/04 | UPDATE DRAWING FORMAT |



| QTY | FINISH | MATERIAL | DESCRIPTION |
|-----|---------|----------|-------------|
| 1 | GOLD | BRASS | CONTACT PIN |
| 1 | NATURAL | TEFLON | INSULATOR |
| 1 | GOLD | BRASS | BODY |
| | | | DESCRIPTION |

| | |
|---|---|
| UNLESS OTHERWISE SPECIFIED, DIMENSIONS ARE IN INCHES UNLESS INDICATED OTHERWISE IN PART OR IN INCHES AND FOR CUSTOMER REFERENCE ONLY. | UNLESS OTHERWISE SPECIFIED, DIMENSIONS ARE IN MILLIMETERS UNLESS INDICATED OTHERWISE IN PART OR IN MILLIMETERS FOR CUSTOMER REFERENCE ONLY. |
| UNLESS OTHERWISE SPECIFIED, TOLERANCES FOR MILLIMETERS ARE: 0.5 - 8mm ± 0.20mm 8 - 30mm ± 0.40mm 30 - 120mm ± 0.50mm | UNLESS OTHERWISE SPECIFIED, TOLERANCES FOR INCHES ARE: .020 - .315 = ± 0.007" .315 - 1.180 = ± 0.015" 1.180 - 4.724 = ± 0.020" |
| DO NOT SCALE DRAWING | |

| APPROVALS | DATE |
|--------------|----------|
| DRAWN G.R.S. | 01/30/04 |
| CHECKED | |
| ISSUED | |
| SHEET 1 OF 1 | |

| | | | | |
|----------------------------|---------------------|--------|--------|----------|
| CAD FILE C:/242/242144.DWG | DWG. NO. 242144.DWG | REV. A | SIZE A | SCALE NA |
|----------------------------|---------------------|--------|--------|----------|

| | |
|------------------------------|--------|
| PART DESCRIPTION | |
| SMA MALE TO SMB MALE ADAPTER | |
| PART NO. | 242144 |

Amphenol Connex